

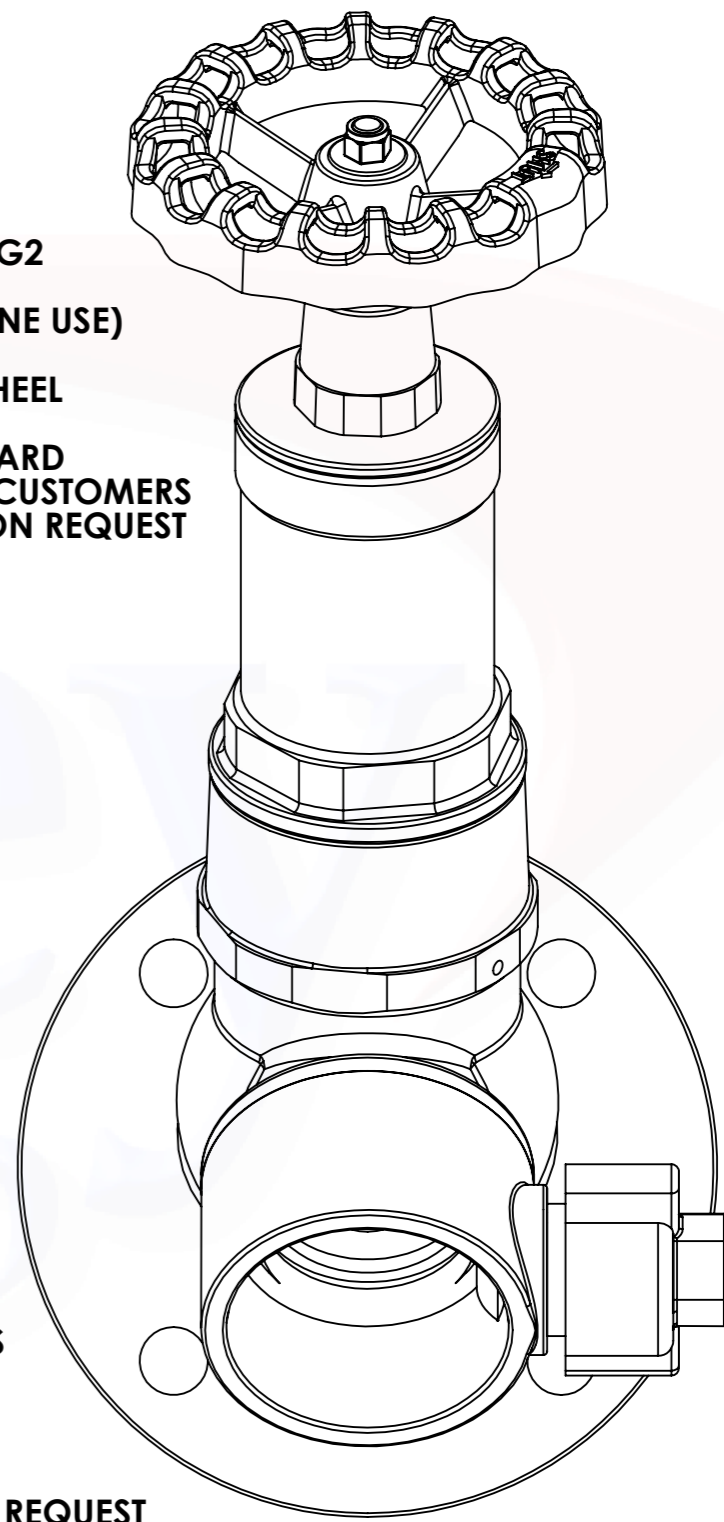
SPECIFICATION

RANGE: 3.5 TO 9 BAR

MATERIAL: GUNMETAL BS1400 LG2
ALUMINIUM BRONZE
(SUITABLE FOR MARINE USE)

CAST IRON HANDWHEEL

FINISH: NATURAL AS STANDARD
PAINTED FINISH TO CUSTOMERS
SPECIFICATION UPON REQUEST



OUTLET:
65mm FEMALE INSTANTANEOUS
(BS336) SINGLE TWIST RELEASE

**CAN BE SUPPLIED WITH MALE / FEMALE
THREAD**
BS2779 - BSP PARALLEL THREADS
BS21 - BSP TAPER THREADS
NFPA - NH THREADS
ASME - NPT THREADS

OTHER OPTIONS AVAILABLE ON REQUEST
BLANK CAP / PLUG OPTIONAL

INLET:
FLANGED OPTIONS
BS 10 TABLE D & E
ASME B16.24 CLASS 150 / 300
BS4504 NP16 / 25
CAN BE SUPPLIED WITH MALE /
FEMALE THREADS
BS2779 - BSP PARALLEL THREADS
BS21 - BSP TAPER THREADS
NFPA - NH THREADS
ASME - NPT THREADS

OTHER OPTIONS AVAILABLE ON REQUEST



Hightown Road, Cleckheaton,
West Yorkshire, BD19 5JT,
England, United Kingdom
Tel: +44 (0) 1274 873366
Fax: +44 (0) 1274 860728
www.walterfrank.co.uk

UNLESS OTHERWISE SPECIFIED: DIMENSIONS ARE IN MILLIMETERS		FINISH:		DEBUR AND BREAK SHARP EDGES		DO NOT SCALE DRAWING		REVISION 0	
SURFACE FINISH:						WALTER FRANK & SONS LTD			
TOLERANCES:									
LINEAR:						TITLE: BIBNOSE PATTERN "PRV9i" PRESSURE REGULATING VALVE			
ANGULAR:						DRAWN: A.BENNETT		DATE: 7/07/08	
						MFG:		MATERIAL: SEE SPECIFICATION	
						Q.A.		DWG NO. 55 RANGE	
						WEIGHT:		SCALE:1:5	
								SHEET 1 OF 1	

A3