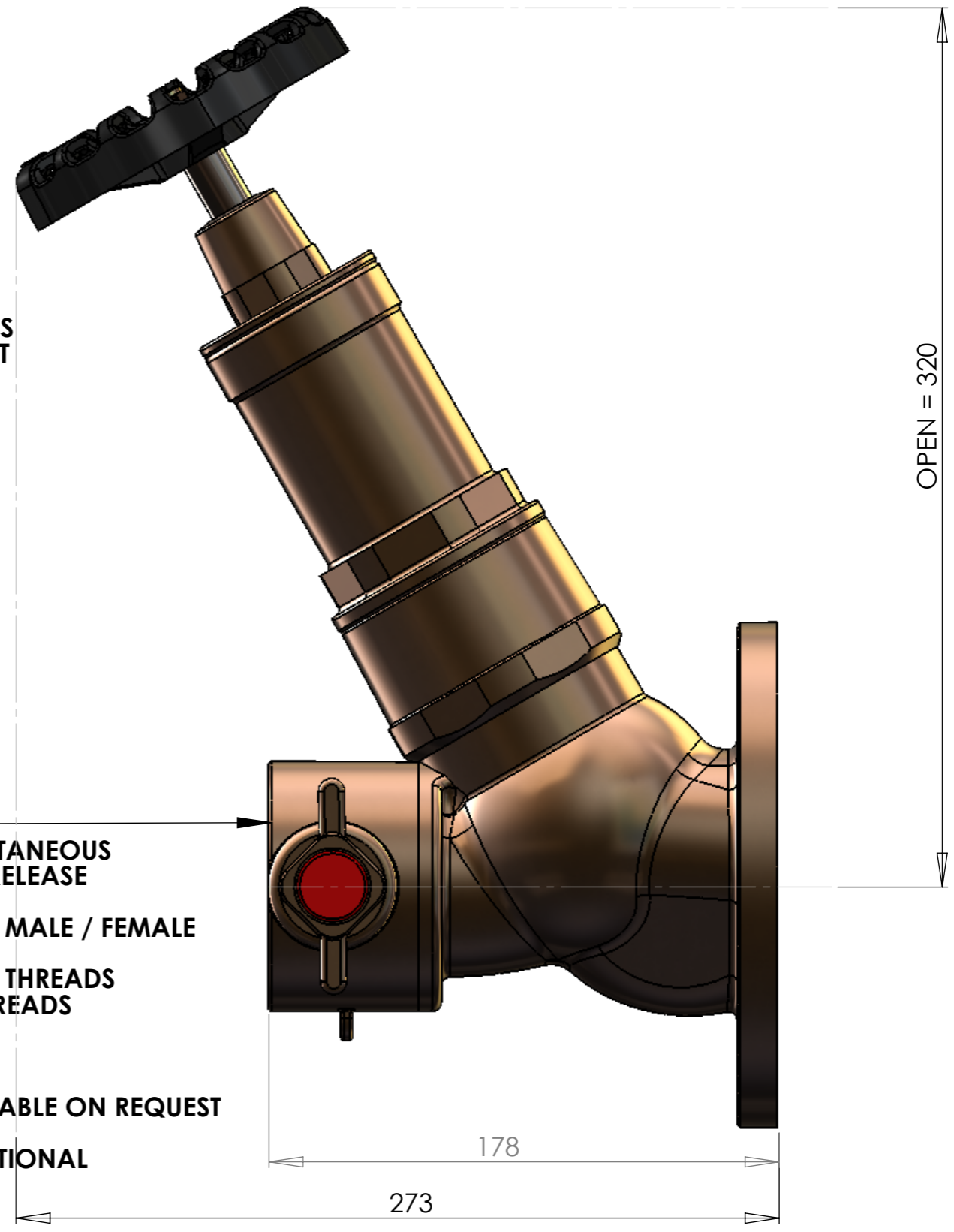


SPECIFICATION

RANGE: 3.5 TO 9 BAR
MATERIAL: GUNMETAL BS1400 LG2
 ALUMINIUM BRONZE
 (SUITABLE FOR MARINE USE)
CAST IRON HANDWHEEL
FINISH: NATURAL AS STANDARD
 PAINTED FINISH TO CUSTOMERS
 SPECIFICATION UPON REQUEST



OUTLET:
 65mm FEMALE INSTANTANEOUS
 (BS336) SINGLE TWIST RELEASE

**CAN BE SUPPLIED WITH MALE / FEMALE
 THREAD**
 BS2779 - BSP PARALLEL THREADS
 BS21 - BSP TAPER THREADS
 NFPA - NH THREADS
 ASME - NPT THREADS

OTHER OPTIONS AVAILABLE ON REQUEST
BLANK CAP / PLUG OPTIONAL

INLET:
 FLANGED OPTIONS
 BS 10 TABLE D & E
 ASME B16.24 CLASS 150 /
 300
 BS4504 NP16 / 25
**CAN BE SUPPLIED WITH
 MALE / FEMALE THREADS**
 BS2779 - BSP PARALLEL
 THREADS
 BS21 - BSP TAPER
 THREADS
 NFPA - NH THREADS
 ASME - NPT THREADS

**OTHER OPTIONS
 AVAILABLE ON REQUEST**



Hightown Road, Cleckheaton,
 West Yorkshire, BD19 5JT,
 England, United Kingdom
 Tel: +44 (0) 1274 873366
 Fax: +44 (0) 1274 860728
www.walterfrank.co.uk

UNLESS OTHERWISE SPECIFIED: DIMENSIONS ARE IN MILLIMETERS				FINISH:		DEBUR AND BREAK SHARP EDGES		DO NOT SCALE DRAWING		REVISION	
SURFACE FINISH:								WALTER FRANK & SONS LTD			
TOLERANCES:											
LINEAR:								TITLE: HORIZONTAL PATTERN "PRV91" PRESSURE REGULATING VALVE			
ANGULAR:								DWG NO. 55 RANGE			
DRAWN		NAME		SIGNATURE		DATE		SCALE:1:5			
CHK'D		A.BENNETT				3/07/08		SHEET 1 OF 1			
APP'VD								A3			
MFG											
Q.A											
MATERIAL:						SEE SPECIFICATION					
WEIGHT:											