

**INLET**  
**FLANGED OPTIONS**  
 BS10 TABLE D & E  
 ASME B16.5 CLASS 150 / 300  
 BS4504 NP16 / 25

**CAN BE SUPPLIED WITH MALE / FEMALE THREADS**  
 BS2779 - BSP PARALLEL THREADS  
 BS21 - BSP TAPER THREADS  
 NFPA - NH THREADS  
 ASME - NPT THREADS

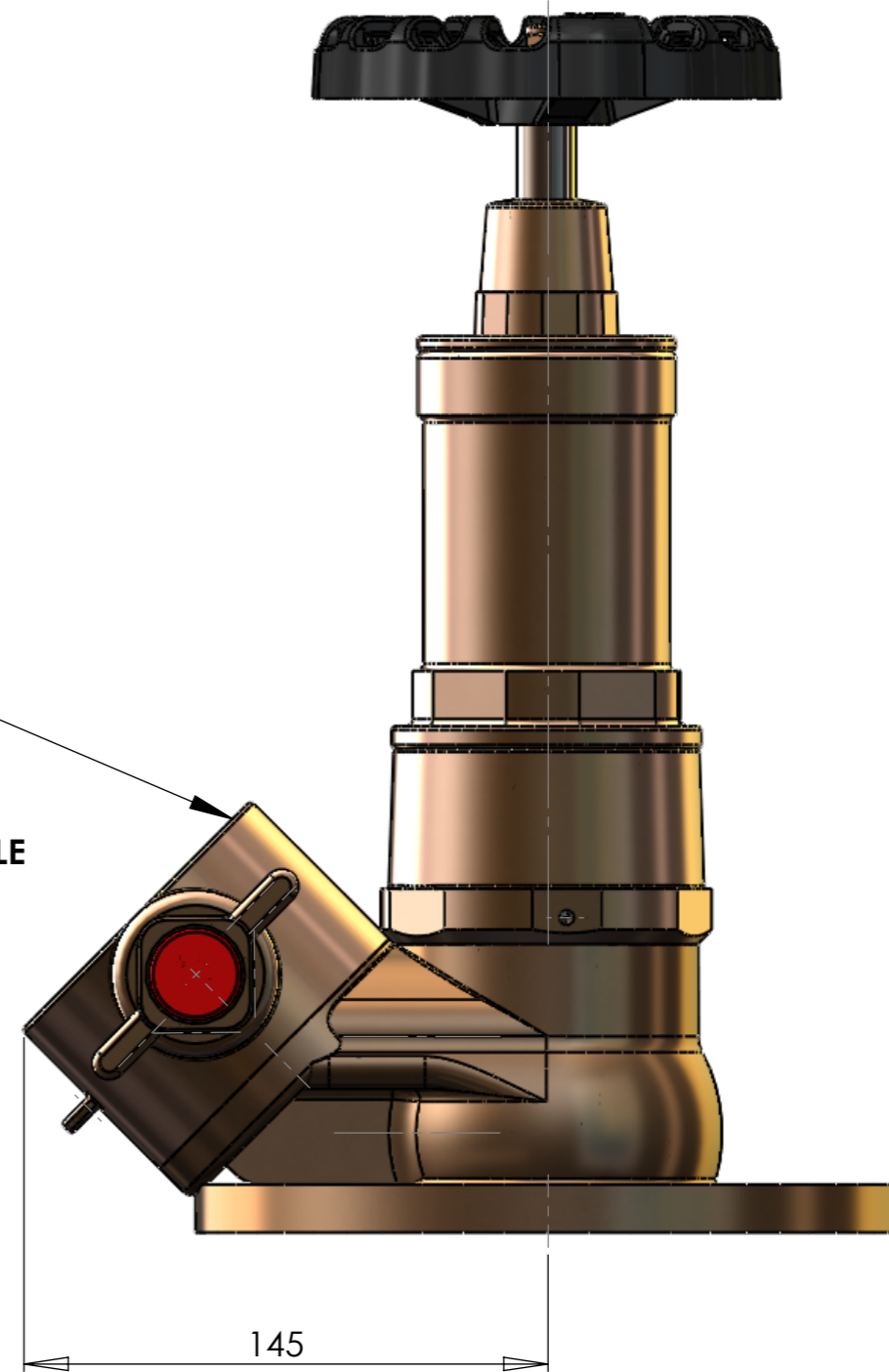
**SPECIFICATION**

**RANGE** 3.5 TO 9 BAR  
**MATERIAL** GUNMETAL BS1400 LG2  
 ALUMINIUM BRONZE  
 (SUITABLE FOR MARINE USE)  
 CAST IRON HANDWHEEL  
**FINISH** NATURAL AS STANDARD  
 PAINTED FINISH TO CUSTOMERS  
 SPECIFICATION UPON REQUEST

**OUTLET**

65mm FEMALE INSTANTANEOUS  
 BS336 SINGLE TWIST RELEASE

**CAN BE SUPPLIED WITH MALE / FEMALE  
 THREAD**  
 BS2779 - BSP PARALLEL THREADS  
 BS21 - BSP TAPER THREADS  
 NFPA - NH THREADS  
 ASME - NPT THREADS



Hightown Road, Cleckheaton,  
 West Yorkshire, BD19 5JT,  
 England, United Kingdom  
 Tel: +44 (0) 1274 873366  
 Fax: +44 (0) 1274 860728  
[www.walterfrank.co.uk](http://www.walterfrank.co.uk)

UNLESS OTHERWISE SPECIFIED: DIMENSIONS ARE IN MILLIMETERS		FINISH:		DEBUR AND BREAK SHARP EDGES		DO NOT SCALE DRAWING		REVISION DESCRIPTION	
SURFACE FINISH:						<b>WALTER FRANK &amp; SONS LTD</b>		TITLE: <b>OBLIQUE PATTERN "PRV9i" PRESSURE REGULATING VALVE</b>	
TOLERANCES:									
LINEAR:		NAME	SIGNATURE	DATE					
ANGULAR:		DRAWN	A.BENNETT	19/06/08					
		CHK'D							
		APPV'D							
		MFG							
		Q.A				MATERIAL: SEE SPECIFICATION	DWG NO.	<b>55 RANGE</b>	A3
						WEIGHT:	SCALE:1:5	SHEET 1 OF 1	